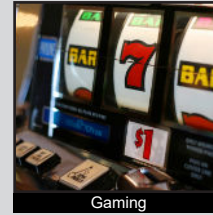


PP1 SERIES DETECTOR SWITCH

ANTI-VANDAL SWITCHES
 DETECTOR SWITCHES
 DIP SWITCHES
 KEYLOCK SWITCHES
 NAVIGATION SWITCHES
 PUSHBUTTON SWITCHES
 ROCKER SWITCHES
 ROTARY SWITCHES
 SLIDE SWITCHES
 SNAP ACTION SWITCHES
 TACTILE SWITCHES
 TOGGLE SWITCHES
 CAP OPTIONS



APPLICATIONS / MARKETS



RoHS

SPECIFICATIONS

Electrical Rating: 16A 125VAC [cURus]
 12A 250VAC [cURus]
 1HP 125/250VAC [cURus]

Electrical Life: 6,000 Cycles
Mechanical Life: 50,000 Cycles
Contact Resistance: 10mΩ Max.
Insulation Resistance: 10MΩ Min.
Operating Temperature 0°C to 85°C
Panel Cutout: 13.5mm x 28.4mm
Ingress Protection: IP40
Function: SPDT, On-(On) or On₁-On₂-(On₂)

FEATURES & BENEFITS

- Push-pull or momentary functions
- Various actuator and terminal options
- High ratings with UL approvals
- Acts as door interlock switch
- IP40 ingress protection

PART NUMBER CONFIGURATOR

Series	Terminal Type	Function	Contact Rating	Body Color	Actuator Height	Actuator Color
PP1	1 - 4.8mm x 0.8mm Tabs, Vertical 4 - 6.3mm x 0.8mm Tabs, Vertical D - 4.8mm x 0.8mm Tabs, Horizontal E - 6.3mm x 0.8mm Tabs, Horizontal F - 1 - 6.3mm x 0.5mm, 2 - 4.8mm x 0.5mm Tabs, Angled	T - On ₁ -On ₂ -(On ₂)* B - On-(On)*	7 - 16A 125VAC 12A 250VAC 1HP 125/250VAC	1 - Black 2 - White	A - Straight B - Push-Pull D - Short	1 - Black 2 - White

* () Denotes momentary function

Specifications subject to change without notice 8.22.2024



E-SWITCH®

www.e-switch.com

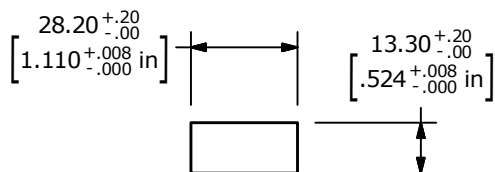
800.867.2717

1

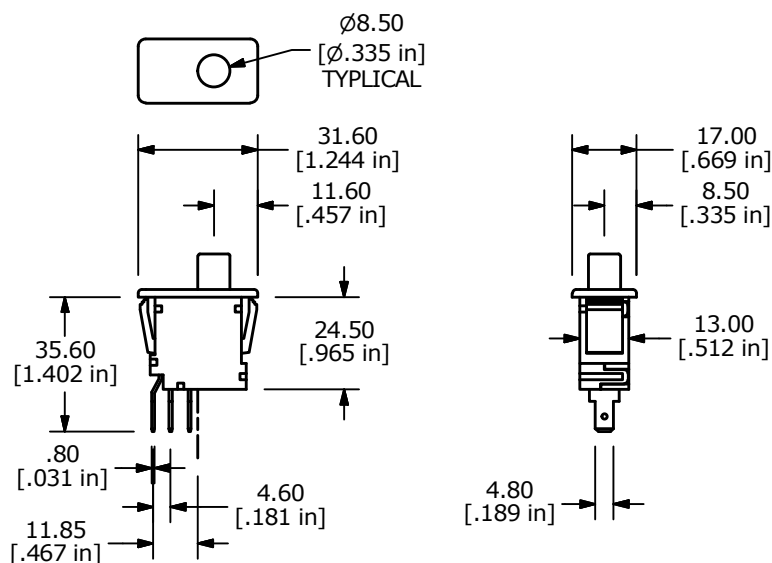
PP1 SERIES DETECTOR SWITCH

TERMINAL OPTIONS

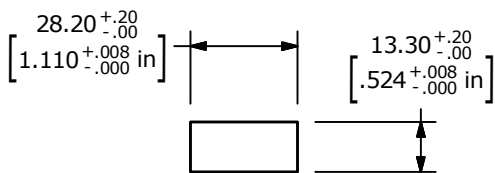
1 - 4.8mm x 0.8mm Tabs, Vertical



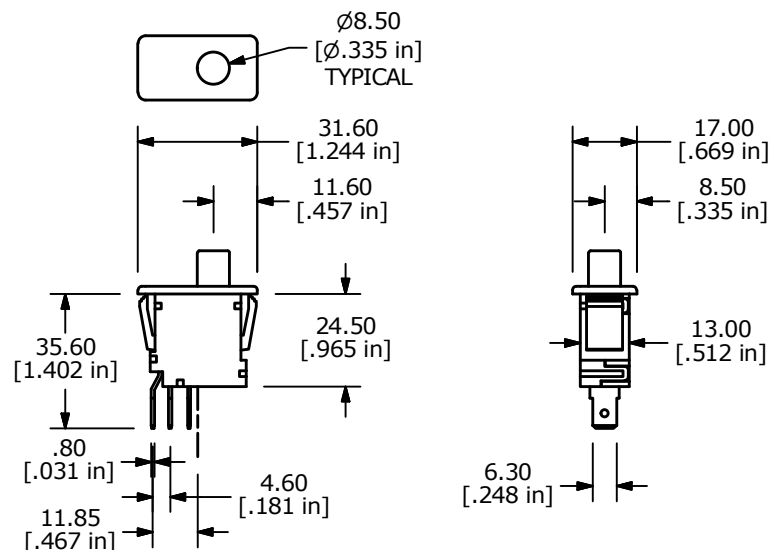
RECOMMENDED PANEL CUTOUT



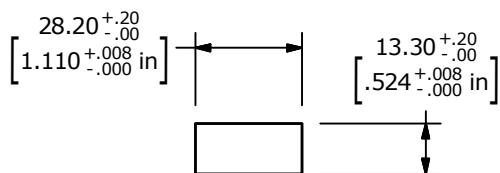
4 - 6.3mm x 0.8mm Tabs, Vertical



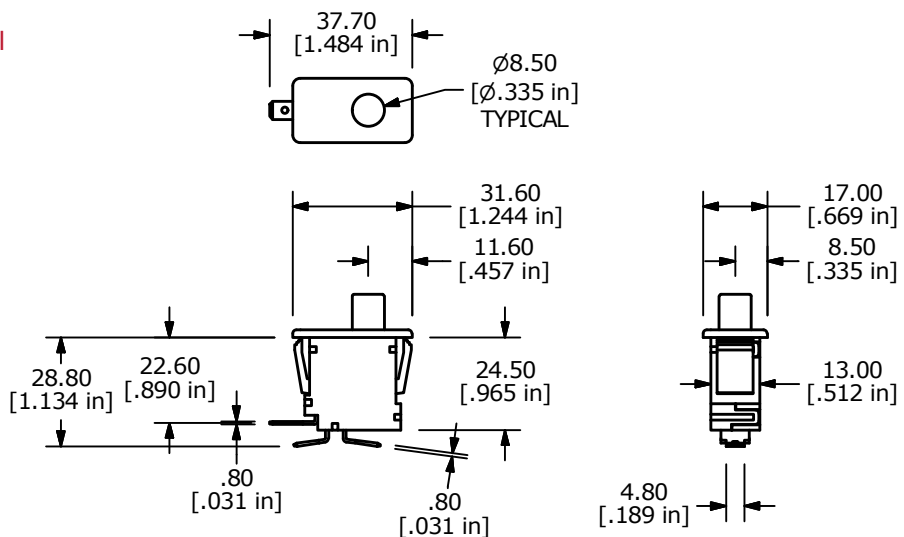
RECOMMENDED PANEL CUTOUT



D - 4.8mm x 0.8mm Tabs, Horizontal



RECOMMENDED PANEL CUTOUT

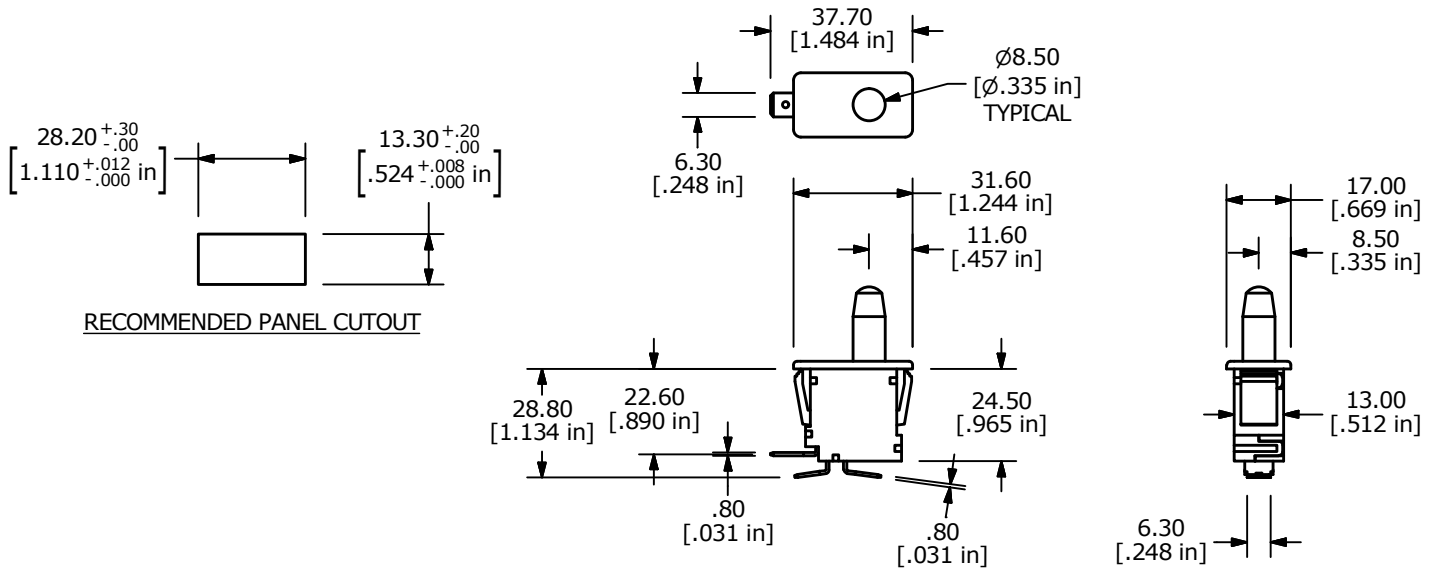


ANTI-VANDAL SWITCHES
 DETECTOR SWITCHES
 DIP SWITCHES
 KEYLOCK SWITCHES
 NAVIGATION SWITCHES
 PUSHBUTTON SWITCHES
 ROCKER SWITCHES
 ROTARY SWITCHES
 SLIDE SWITCHES
 SNAP ACTION SWITCHES
 TACTILE SWITCHES
 TOGGLE SWITCHES
 CAP OPTIONS

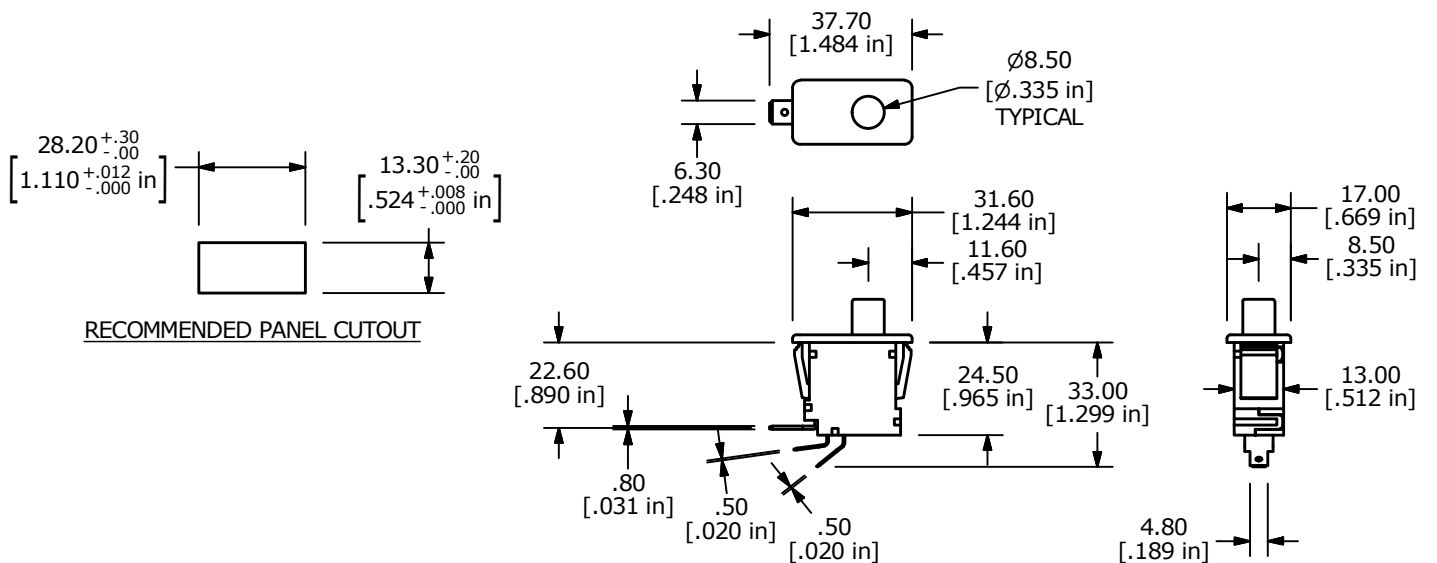
PP1 SERIES DETECTOR SWITCH

TERMINAL OPTIONS

E - 6.3mm x 0.8mm Tabs, Horizontal



F - 1 - 6.3mm x 0.8mm, 2 - 4.8mm x 0.5mm Tabs, Angled



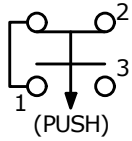
PP1 SERIES DETECTOR SWITCH

ACTUATOR OPTIONS

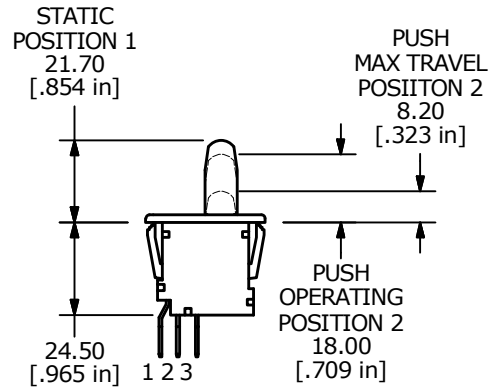
A - Straight

SWITCH FUNCTION	
POS. 1	POS. 2
ON	(ON)
1-2	1-3

(ON)=MOMENTARY



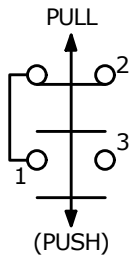
SPDT
CONTACT CONFIGURATION
() DENOTES MOMENTARY
FUNCTION



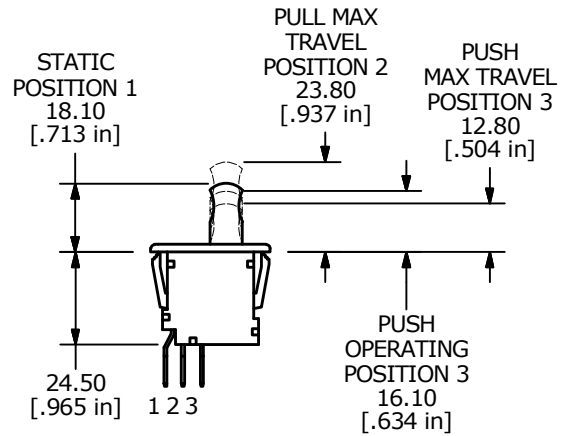
B - Push-Pull

SWITCH FUNCTION		
POS. 1	POS. 2	POS. 3
ON	ON	(ON)
1-2	1-3	1-3

(ON)=MOMENTARY



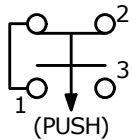
SPDT
CONTACT CONFIGURATION
() DENOTES MOMENTARY
FUNCTION



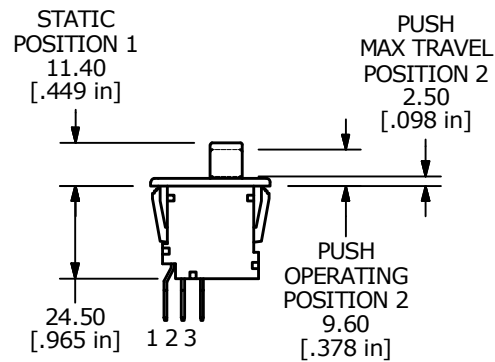
D - Short

SWITCH FUNCTION	
POS. 1	POS. 2
ON	(ON)
1-2	1-3

(ON)=MOMENTARY



SPDT
CONTACT CONFIGURATION
() DENOTES MOMENTARY
FUNCTION



ANTI-VANDAL
DETECTOR
DIP
KEYLOCK
NAVIGATION
PUSHBUTTON
ROCKER
ROTARY
SLIDE
SNAP ACTION
TACTILE
TOGGLE
CAP
OPTIONS