

# RP8200 SERIES PUSHBUTTON SWITCH

ANTI-VANDAL SWITCHES  
DETECTOR SWITCHES  
DIP SWITCHES  
KEYLOCK SWITCHES  
NAVIGATION SWITCHES  
PUSHBUTTON SWITCHES  
ROCKER SWITCHES  
ROTARY SWITCHES  
SLIDE SWITCHES  
SNAP ACTION SWITCHES  
TACTILE SWITCHES  
TOGGLE SWITCHES  
CAP OPTIONS



## APPLICATIONS / MARKETS



Audio / Visual



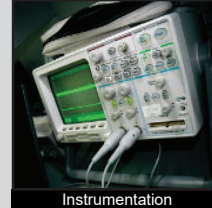
Electrical Housewares



Floor Care Appliances



White Goods



Instrumentation



Medical Equipment

# RoHS

## SPECIFICATIONS

**Electrical Rating:** 100mA @ 24VDC  
**Life Expectancy:** 200,000 Cycles  
**Contact Resistance:** 50mΩ Max.  
**Insulation Resistance:** 1,000MΩ Min. @ 500VDC  
**Dielectric Strength:** 1,000VAC for 1 minute  
**Operating Temperature:** -30°C to 85°C  
**Travel:** 2.5mm  
**Contact Arrangement:** SPST, Off-On, Latching  
**Actuation Force:** 350 gf  
**Panel Thickness:** 1.5mm - 4.0mm  
**Ingress Protection:** IP67  
**Mounting Nut Torque:** .5Nm

## FEATURES & BENEFITS

- Threaded mount
- 200,000 life expectancy
- LED illumination options
- Sealed to IP67 ratings

## PART NUMBER CONFIGURATOR

Series	Bushing	Termination	Contact Material	Seal	Housing Color	Cap Color	LED Color
<input type="checkbox"/> <input type="checkbox"/> <input type="checkbox"/> <input type="checkbox"/> <input type="checkbox"/> <input type="checkbox"/> <input type="checkbox"/> <input type="checkbox"/> <input type="checkbox"/> <input type="checkbox"/> <input type="checkbox"/> <input type="checkbox"/> <input type="checkbox"/> <input type="checkbox"/> <input type="checkbox"/> <input type="checkbox"/> <input type="checkbox"/> <input type="checkbox"/> <input type="checkbox"/> <input type="checkbox"/> <input type="checkbox"/>	<input type="checkbox"/> <input type="checkbox"/>	<input type="checkbox"/> <input type="checkbox"/>	<input type="checkbox"/>	<input type="checkbox"/>	<input type="checkbox"/> <input type="checkbox"/> <input type="checkbox"/> <input type="checkbox"/>	<input type="checkbox"/> <input type="checkbox"/> <input type="checkbox"/> <input type="checkbox"/>	<input type="checkbox"/> <input type="checkbox"/> <input type="checkbox"/> <input type="checkbox"/> <input type="checkbox"/> <input type="checkbox"/> <input type="checkbox"/> <input type="checkbox"/> <input type="checkbox"/> <input type="checkbox"/> <input type="checkbox"/> <input type="checkbox"/> <input type="checkbox"/> <input type="checkbox"/> <input type="checkbox"/> <input type="checkbox"/> <input type="checkbox"/> <input type="checkbox"/> <input type="checkbox"/> <input type="checkbox"/> <input type="checkbox"/>
RP8200 RP8201*	B2 - Threaded (12 x 0.75)	M1 - Standard	C - Gold Over Silver	E - Epoxy Sealed	BLK - Black	WHT - White BLK - Black RED - Red ORG - Orange YEL - Yellow GRN - Green BLU - Blue	WHT - White LED RED - Red LED YEL - Yellow LED GRN - Green LED BLU - Blue LED GY - Green/Yellow LED RG - Red/Green LED RB - Red/Blue LED NIL - Non Illuminated*

\*The RP8201 series (High Actuator) is only offered in a non-illuminated version.

Specifications subject to change without notice 7.10.2024



E-SWITCH®

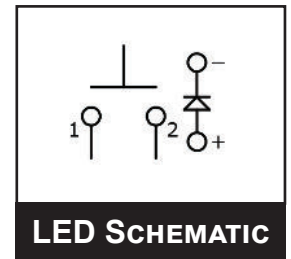
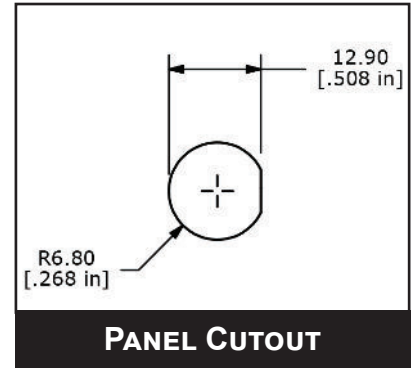
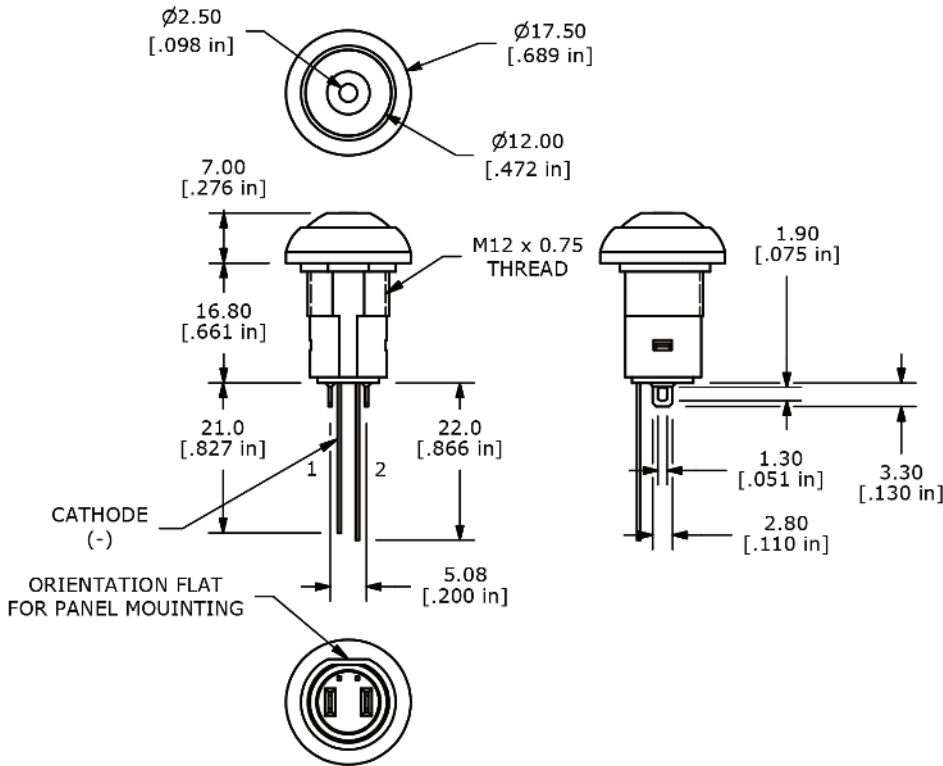
www.e-switch.com

800.867.2717

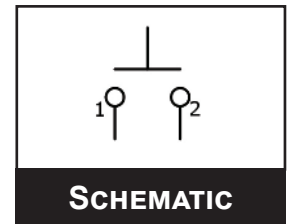
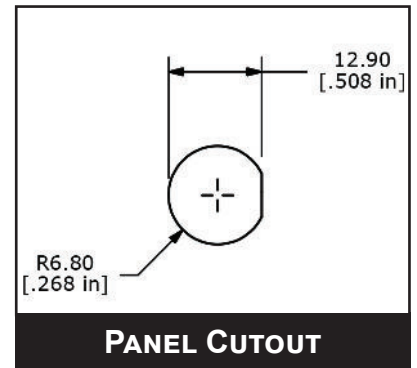
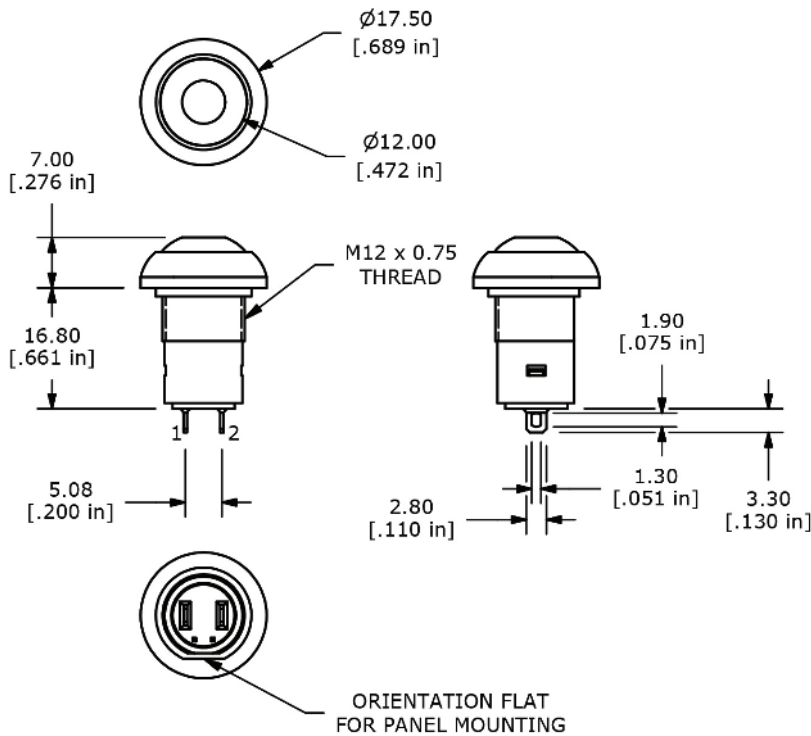
1

# RP8200 SERIES PUSHBUTTON SWITCH

## RP8200 w/ LED B2 BUSHING



## RP8200 w/o LED B2 BUSHING



ANTI-VANDAL SWITCHES  
DETECTOR SWITCHES  
DIP SWITCHES  
KEYLOCK SWITCHES  
NAVIGATION SWITCHES  
PUSHBUTTON SWITCHES  
ROCKER SWITCHES  
ROTARY SWITCHES  
SLIDE SWITCHES  
SNAP ACTION SWITCHES  
TACTILE SWITCHES  
TOGGLE SWITCHES  
CAP OPTIONS

# RP8200 SERIES PUSHBUTTON SWITCH

## RP8201 w/o LED B2 BUSHING

