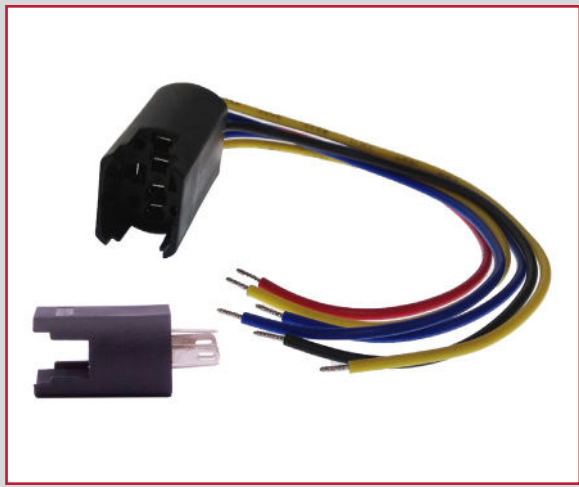
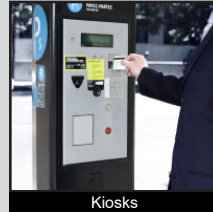


PVP SERIES ANTI-VANDAL SWITCH SOCKET

ANTI-VANDAL SWITCHES
DETECTOR SWITCHES
DIP SWITCHES
KEYLOCK SWITCHES
NAVIGATION SWITCHES
PUSHBUTTON SWITCHES
ROCKER SWITCHES
ROTARY SWITCHES
SLIDE SWITCHES
SNAP ACTION SWITCHES
TACTILE SWITCHES
TOGGLE SWITCHES
CAP OPTIONS



APPLICATIONS / MARKETS



RoHS

FEATURES & BENEFITS

- PVP3 both solder lug and wired socket are compatible with PV3 Series switches featuring SPDT, DPDT, non illuminated, or LED illuminated options
- PVPB3 wired socket is compatible with PVB3 Series switches featuring SPDT, non illuminated, LED, or RGB illuminated options
- PVP4 both solder lug and wired socket are compatible with PV4 Series switches featuring SPDT, DPDT, non illuminated, or LED illuminated options
- PVP7 both solder lug and wired socket are compatible with PV7 Series switches featuring SPDT non illuminated, or LED illuminated options
- PVP8 wired socket is compatible with PV8, PV9, and PV10 Series switches featuring SPDT, DPDT, non illuminated, or LED illuminated options
- Wire, 22 AWG AWM UL1007
- Wire length 140.0 [5.5 in]

PART NUMBER CONFIGURATOR

Series	Anti-Vandal Options	Terminal Options	Circuit Options	Illumination Options
<input type="checkbox"/> <input type="checkbox"/> <input type="checkbox"/> PVP	<input type="checkbox"/> 3 - PV3 B3 - PVB3** 4 - PV4 7 - PV7* 8 - PV8, PV9, PV10**	<input type="checkbox"/> S - Solder Lug** W - Wire Leads 140mm long	<input type="checkbox"/> S - SPDT D - DPDT*	<input type="checkbox"/> N - Non Illuminated 3 - LED Illuminated R - RGB ***

NOTES:
 PVP Sockets not compatible with tri-color RGB illumination options
 *DPDT circuit option unavailable for the Anti-Vandal Option B3 - PVB3 and 7 - PV7
 **Solder Lug terminal option unavailable for Anti-Vandal Option B3 - PVB3 and 8 - PV8, PV9, PV10
 *** RGB Illumination is only available for the PVB3 socket

Specifications subject to change without notice 6.26.2024



E-SWITCH®

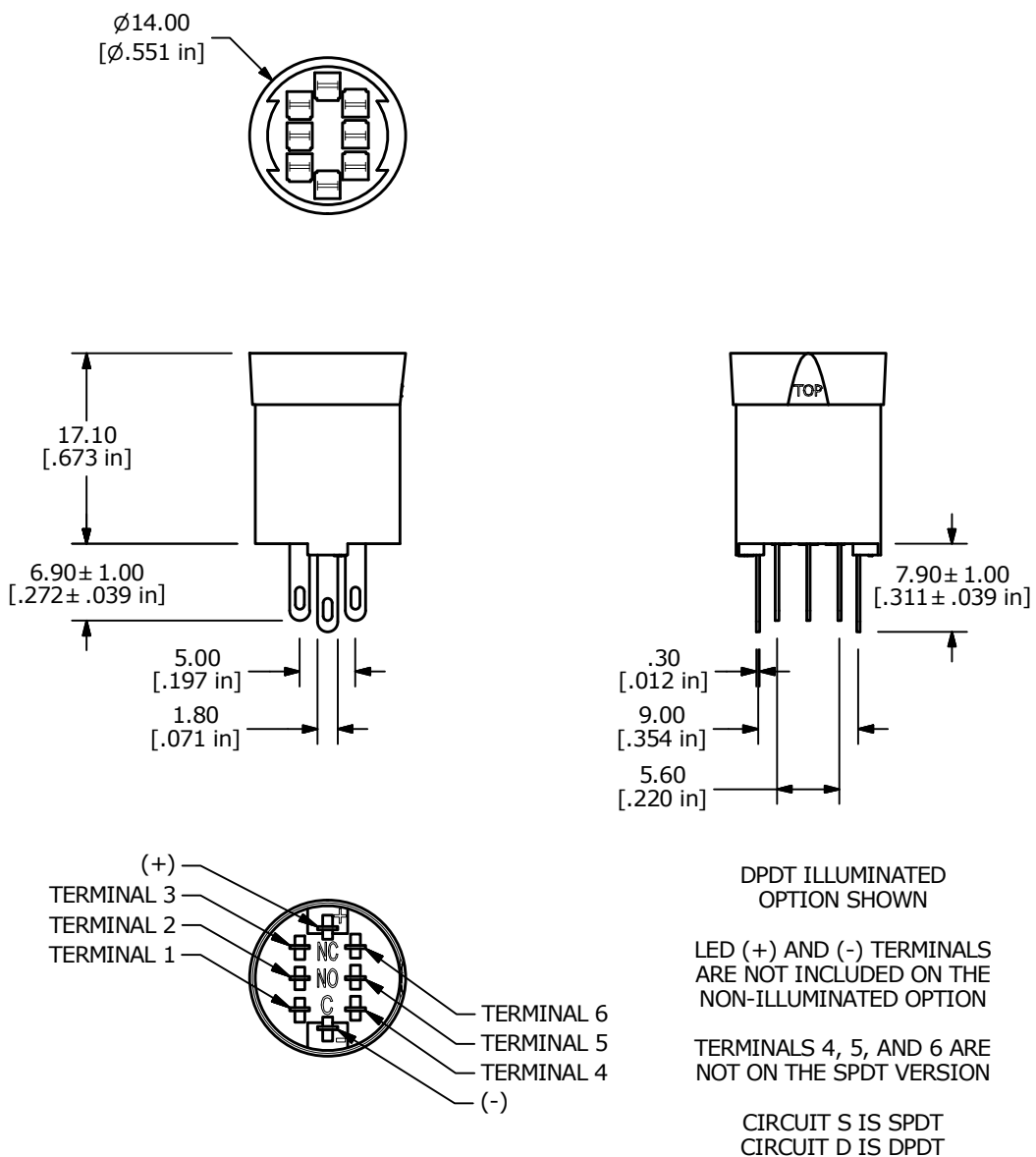
www.e-switch.com

800.867.2717

1

PVP SERIES ANTI-VANDAL SWITCH SOCKET

PVP3 SOLDER LUG



ANTI-VANDAL
SWITCHES

DETECTOR
SWITCHES

DIP
SWITCHES

KEYLOCK
SWITCHES

NAVIGATION
SWITCHES

PUSHBUTTON
SWITCHES

ROCKER
SWITCHES

ROTARY
SWITCHES

SLIDE
SWITCHES

SNAP ACTION
SWITCHES

TACTILE
SWITCHES

TOGGLE
SWITCHES

CAP
OPTIONS

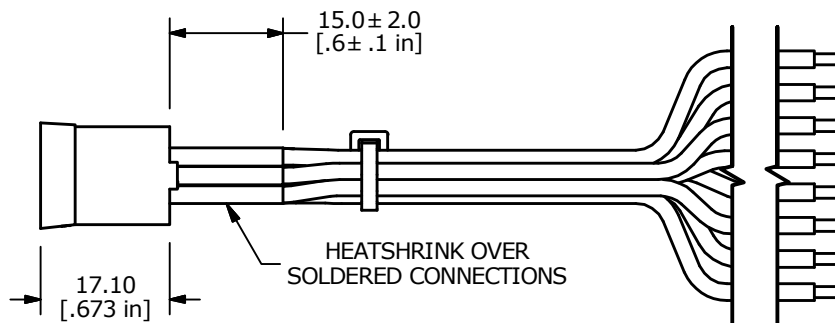
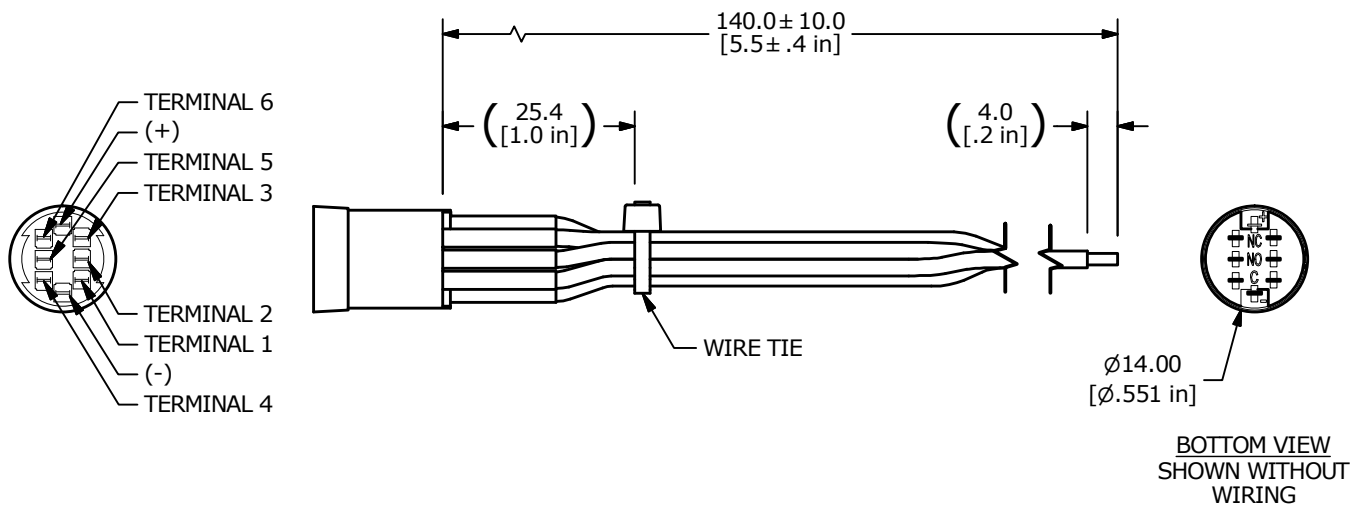


PVP SERIES ANTI-VANDAL SWITCH SOCKET

PVP3 WIRED SOCKET

ADAPTER	WIRE	LENGTH
SW1-1	WIRE, 22 AWG AWM UL1007, YELLOW	140.0 [5.5 in]
SW1-2	WIRE, 22 AWG AWM UL1007, BLUE	140.0 [5.5 in]
SW1-3	WIRE, 22 AWG AWM UL1007, GREEN	140.0 [5.5 in]
SW1-4	WIRE, 22 AWG AWM UL1007, PURPLE	140.0 [5.5 in]
SW1-5	WIRE, 22 AWG AWM UL1007, ORANGE	140.0 [5.5 in]
SW1-6	WIRE, 22 AWG AWM UL1007, WHITE	140.0 [5.5 in]
SW1- (+)	WIRE, 22 AWG AWM UL1007, RED	140.0 [5.5 in]
SW1- (-)	WIRE, 22 AWG AWM UL1007, BLACK	140.0 [5.5 in]

** WIRE LEADS PROVIDED ARE DEPENDANT ON THE FUNCTION AND/OR **
ILLUMINATION SELECTED



DPDT ILLUMINATED OPTION SHOWN

LED (+) AND (-) TERMINALS/WIRING ARE NOT INCLUDED ON THE
NON ILLUMINATED OPTION

TERMINALS/WIRING 4, 5, AND 6 ARE NOT ON THE SPDT VERSION

CIRCUIT S IS SPDT
CIRCUIT D IS DPDT

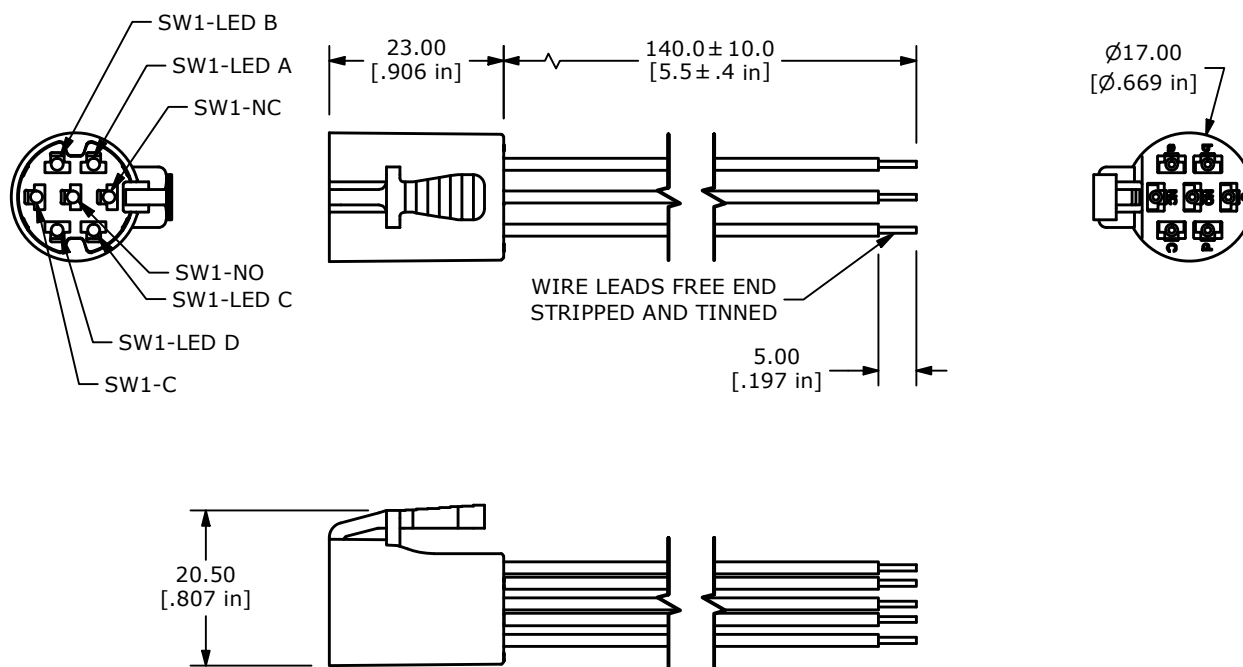


PVP SERIES ANTI-VANDAL SWITCH SOCKET

PVPB3 WIRED SOCKET

SWITCH	WIRE	LENGTH
SW1-C	WIRE, 22 AWG AWM UL1007, GRAY	140.0 [5.5 in]
SW1-NO	WIRE, 22 AWG AWM UL1007, PURPLE	140.0 [5.5 in]
SW1-NC	WIRE, 22 AWG AWM UL1007, BROWN	140.0 [5.5 in]
SW1-LED D	WIRE, 22 AWG AWM UL1007, BLUE	140.0 [5.5 in]
SW1-LED A	WIRE, 22 AWG AWM UL1007, RED	140.0 [5.5 in]
SW1-LED B	WIRE, 22 AWG AWM UL1007, GREEN	140.0 [5.5 in]
SW1-LED C	WIRE, 22 AWG AWM UL1007, BLACK	140.0 [5.5 in]

** WIRE LEADS PROVIDED ARE DEPENDANT ON THE FUNCTION AND/OR **
ILLUMINATION SELECTED



SPDT RGB ILLUMINATED OPTION SHOWN

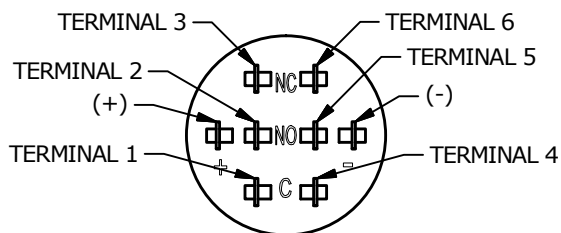
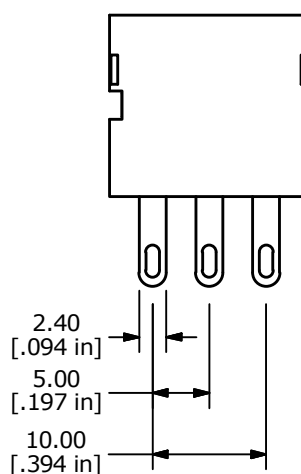
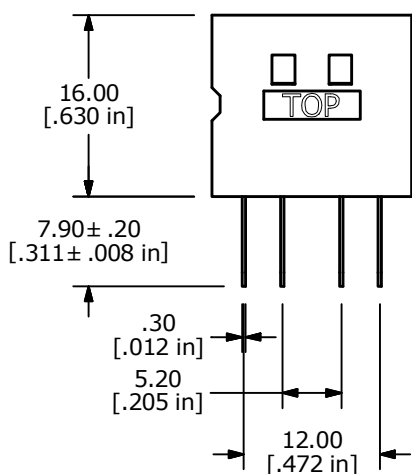
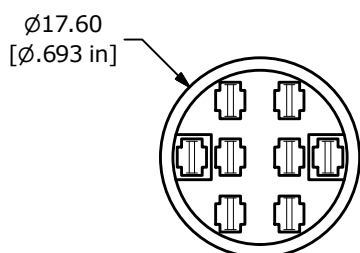
LED (+) AND (-) TERMINALS/WIRING ARE NOT INCLUDED ON
THE NON ILLUMINATED OPTION



PVP SERIES ANTI-VANDAL SWITCH SOCKET

PVP4 SOLDER LUG

ANTI-VANDAL SWITCHES
DETECTOR SWITCHES
DIP SWITCHES
KEYLOCK SWITCHES
NAVIGATION SWITCHES
PUSHBUTTON SWITCHES
ROCKER SWITCHES
ROTARY SWITCHES
SLIDE SWITCHES
SNAP ACTION SWITCHES
TACTILE SWITCHES
TOGGLE SWITCHES
CAP OPTIONS



DPDT ILLUMINATED
OPTION SHOWN

LED (+) AND (-) TERMINALS
ARE NOT INCLUDED ON THE
NON-ILLUMINATED OPTION

TERMINALS 4, 5, AND 6 ARE
NOT ON THE SPDT VERSION

CIRCUIT S IS SPDT
CIRCUIT D IS DPDT

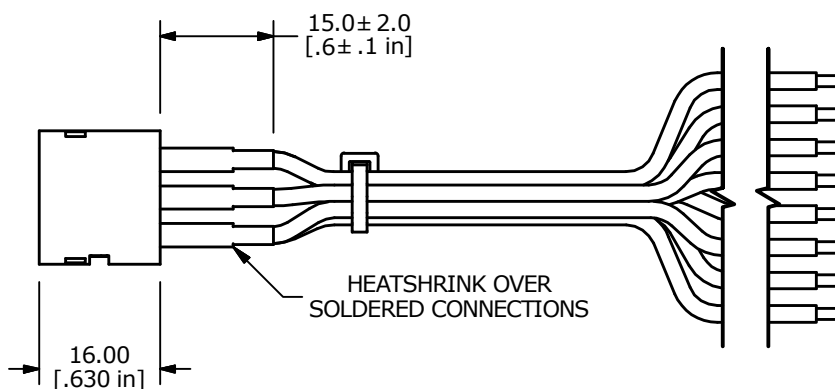
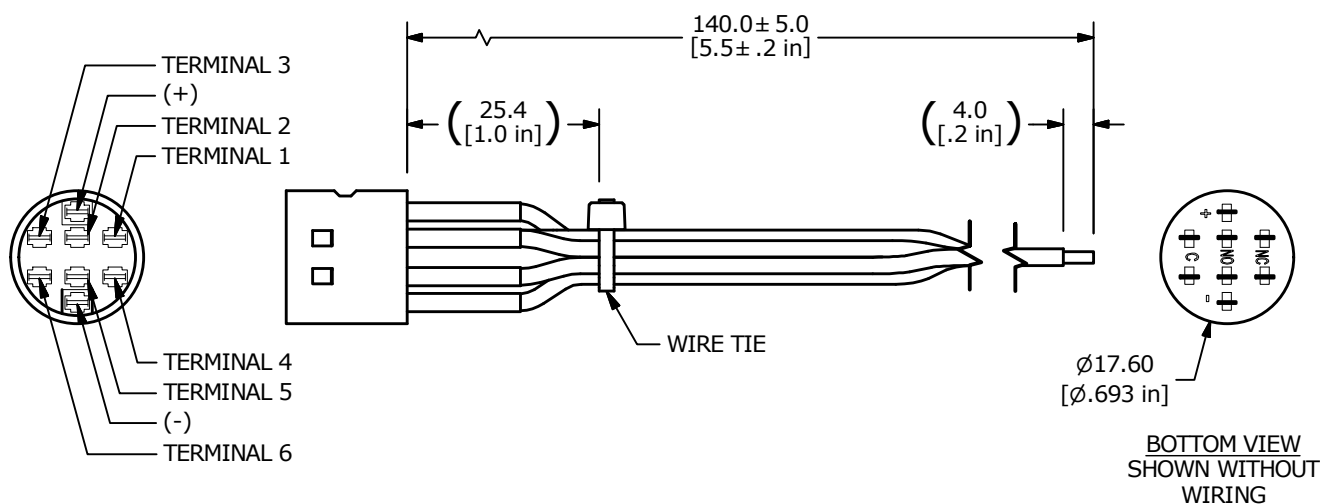


PVP SERIES ANTI-VANDAL SWITCH SOCKET

PVP4 WIRED SOCKET

ADAPTER	WIRE	LENGTH
SW1-1	WIRE, 22 AWG AWM UL1007, YELLOW	140.0 [5.5 in]
SW1-2	WIRE, 22 AWG AWM UL1007, BLUE	140.0 [5.5 in]
SW1-3	WIRE, 22 AWG AWM UL1007, GREEN	140.0 [5.5 in]
SW1-4	WIRE, 22 AWG AWM UL1007, PURPLE	140.0 [5.5 in]
SW1-5	WIRE, 22 AWG AWM UL1007, ORANGE	140.0 [5.5 in]
SW1-6	WIRE, 22 AWG AWM UL1007, WHITE	140.0 [5.5 in]
SW1- (+)	WIRE, 22 AWG AWM UL1007, RED	140.0 [5.5 in]
SW1- (-)	WIRE, 22 AWG AWM UL1007, BLACK	140.0 [5.5 in]

** WIRE LEADS PROVIDED ARE DEPENDANT ON THE FUNCTION AND/OR **
ILLUMINATION SELECTED



DPDT ILLUMINATED OPTION SHOWN

LED (+) AND (-) TERMINALS/WIRING ARE NOT INCLUDED ON THE
NON ILLUMINATED OPTION

TERMINALS/WIRING 4, 5, AND 6 ARE NOT ON THE SPDT VERSION

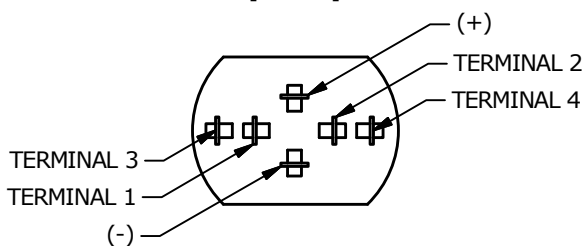
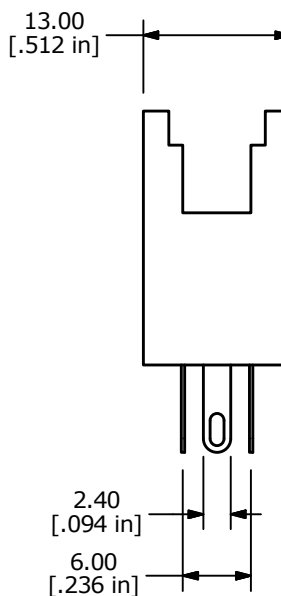
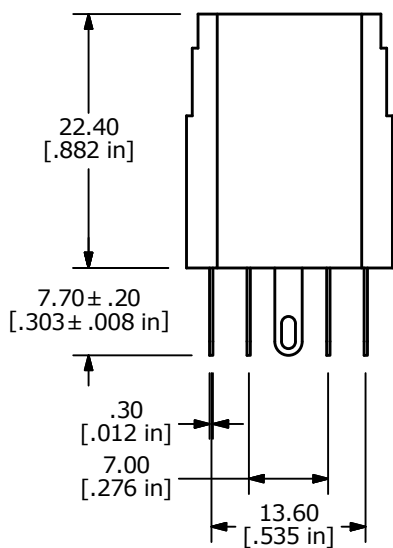
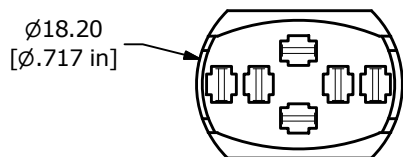
CIRCUIT S IS SPDT
CIRCUIT D IS DPDT



PVP SERIES ANTI-VANDAL SWITCH SOCKET

PVP7 SOLDER LUG

- ANTI-VANDAL SWITCHES
- DETECTOR SWITCHES
- DIP SWITCHES
- KEYLOCK SWITCHES
- NAVIGATION SWITCHES
- PUSHBUTTON SWITCHES
- ROCKER SWITCHES
- ROTARY SWITCHES
- SLIDE SWITCHES
- SNAP ACTION SWITCHES
- TACTILE SWITCHES
- TOGGLE SWITCHES
- CAP OPTIONS



SPDT ILLUMINATED
OPTION SHOWN

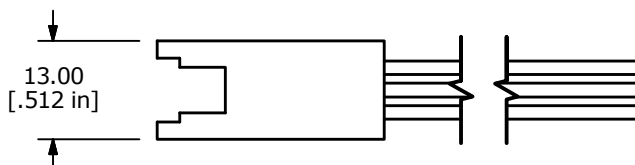
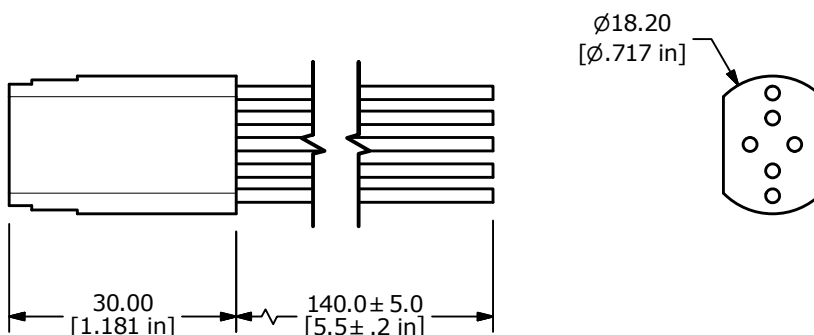
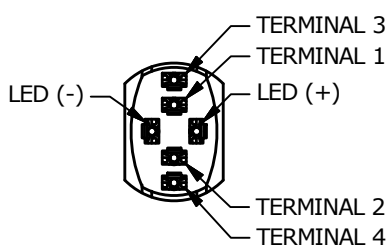
LED (+) AND (-) TERMINALS
ARE NOT INCLUDED ON THE
NON-ILLUMINATED OPTION



PVP SERIES ANTI-VANDAL SWITCH SOCKET

PVP7 WIRED SOCKET

ADAPTER	WIRE	LENGTH
SW1-1	WIRE, 22 AWG AWM UL1007, BLUE	140.0 [5.5 in]
SW1-2	WIRE, 22 AWG AWM UL1007, BLUE	140.0 [5.5 in]
SW1-3	WIRE, 22 AWG AWM UL1007, YELLOW	140.0 [5.5 in]
SW1-4	WIRE, 22 AWG AWM UL1007, YELLOW	140.0 [5.5 in]
SW1- (-)	WIRE, 22 AWG AWM UL1007, BLACK	140.0 [5.5 in]
SW1- (+)	WIRE, 22 AWG AWM UL1007, RED	140.0 [5.5 in]



SPDT ILLUMINATED OPTION SHOWN

LED (+) AND (-) TERMINALS/WIRING ARE NOT INCLUDED ON THE NON-ILLUMINATED OPTION

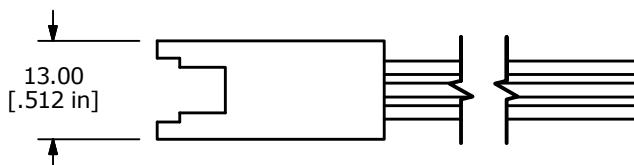
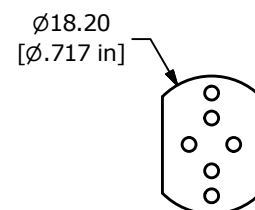
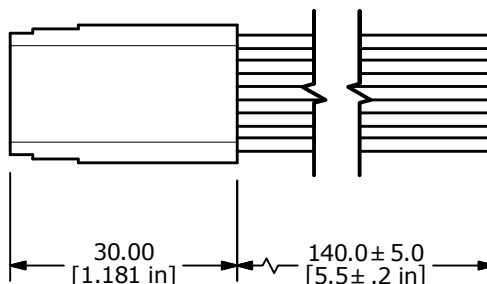
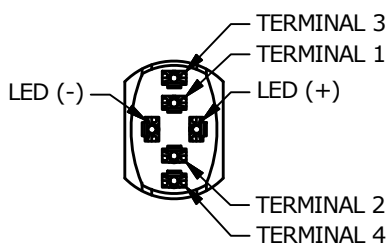


PVP SERIES ANTI-VANDAL SWITCH SOCKET

PVP8 WIRED SOCKET

- ANTI-VANDAL SWITCHES
- DETECTOR SWITCHES
- DIP SWITCHES
- KEYLOCK SWITCHES
- NAVIGATION SWITCHES
- PUSHBUTTON SWITCHES
- ROCKER SWITCHES
- ROTARY SWITCHES
- SLIDE SWITCHES
- SNAP ACTION SWITCHES
- TACTILE SWITCHES
- TOGGLE SWITCHES
- CAP OPTIONS

ADAPTER	WIRE	LENGTH
SW1-1	WIRE, 22 AWG AWM UL1007, BLUE	140.0 [5.5 in]
SW1-2	WIRE, 22 AWG AWM UL1007, BLUE	140.0 [5.5 in]
SW1-3	WIRE, 22 AWG AWM UL1007, YELLOW	140.0 [5.5 in]
SW1-4	WIRE, 22 AWG AWM UL1007, YELLOW	140.0 [5.5 in]
SW1- (-)	WIRE, 22 AWG AWM UL1007, BLACK	140.0 [5.5 in]
SW1- (+)	WIRE, 22 AWG AWM UL1007, RED	140.0 [5.5 in]



SPDT ILLUMINATED OPTION SHOWN

LED (+) AND (-) TERMINALS/WIRING ARE NOT INCLUDED ON THE NON-ILLUMINATED OPTION

